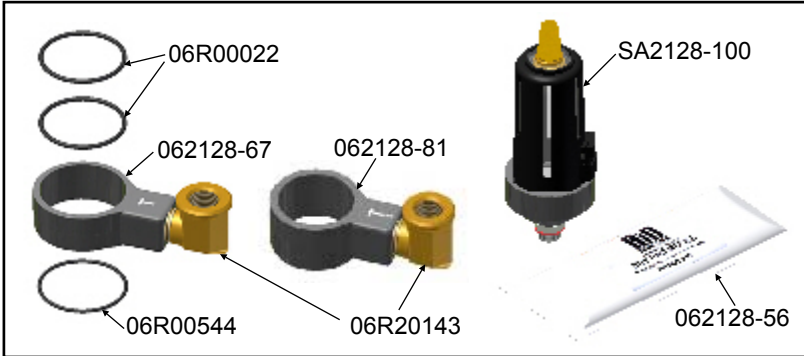


Universal Dry Pac Kit Z2128-690



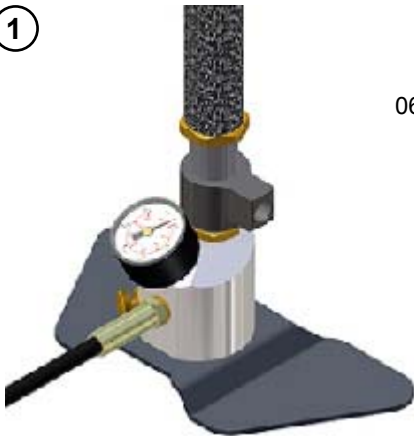
ERNEST H. HILL LIMITED
Sheffield England
www.airriflepump.com

Kit Contents

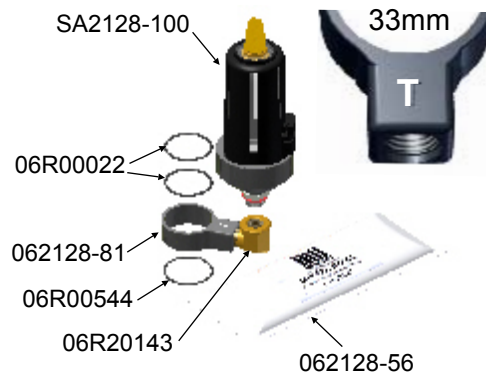
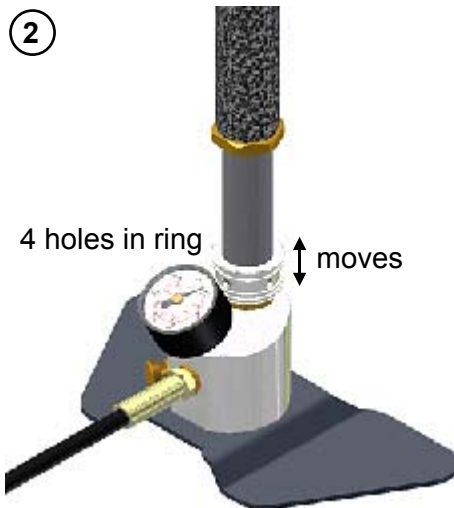


For option 1 unscrew elbow from either plastic fitting and screw into existing fitting on pump

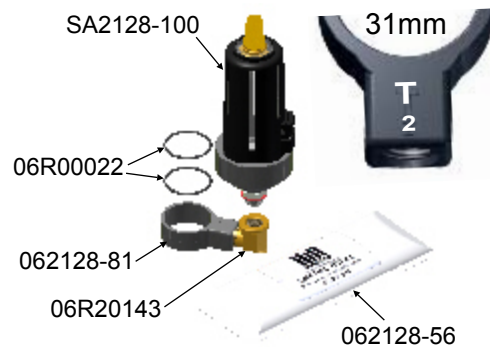
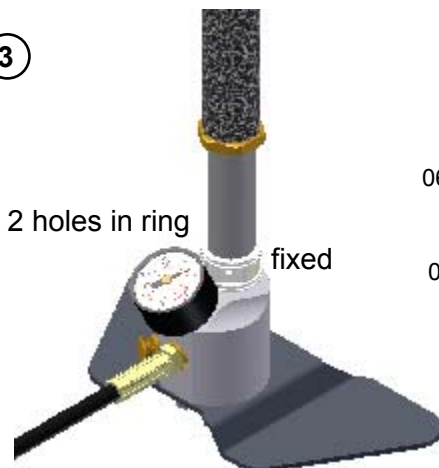
1



2



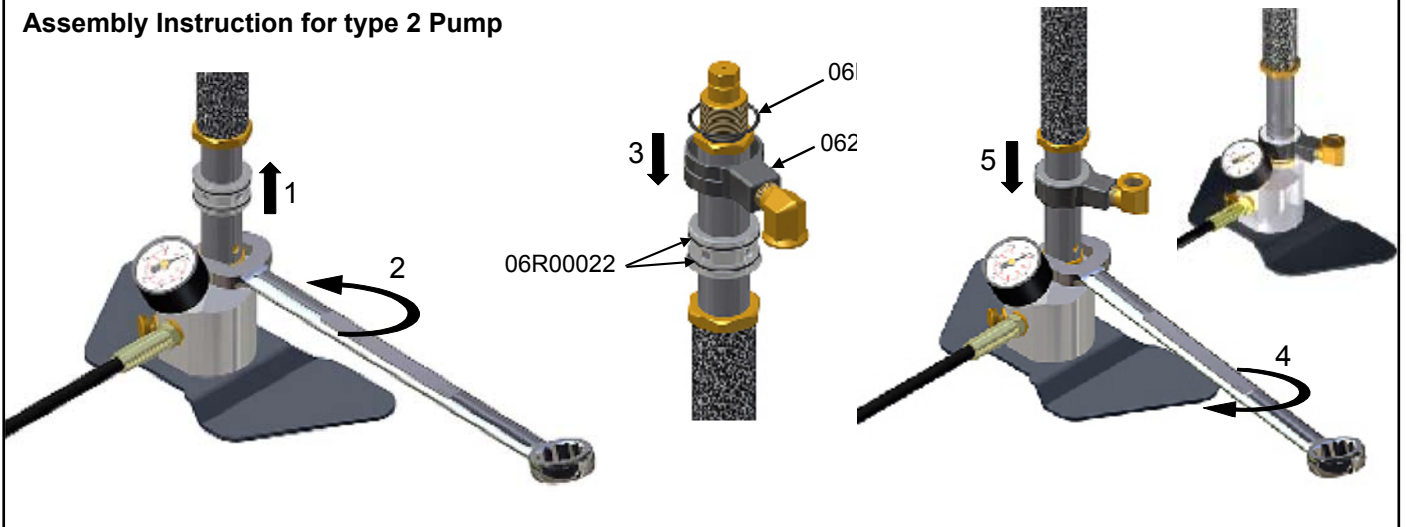
3



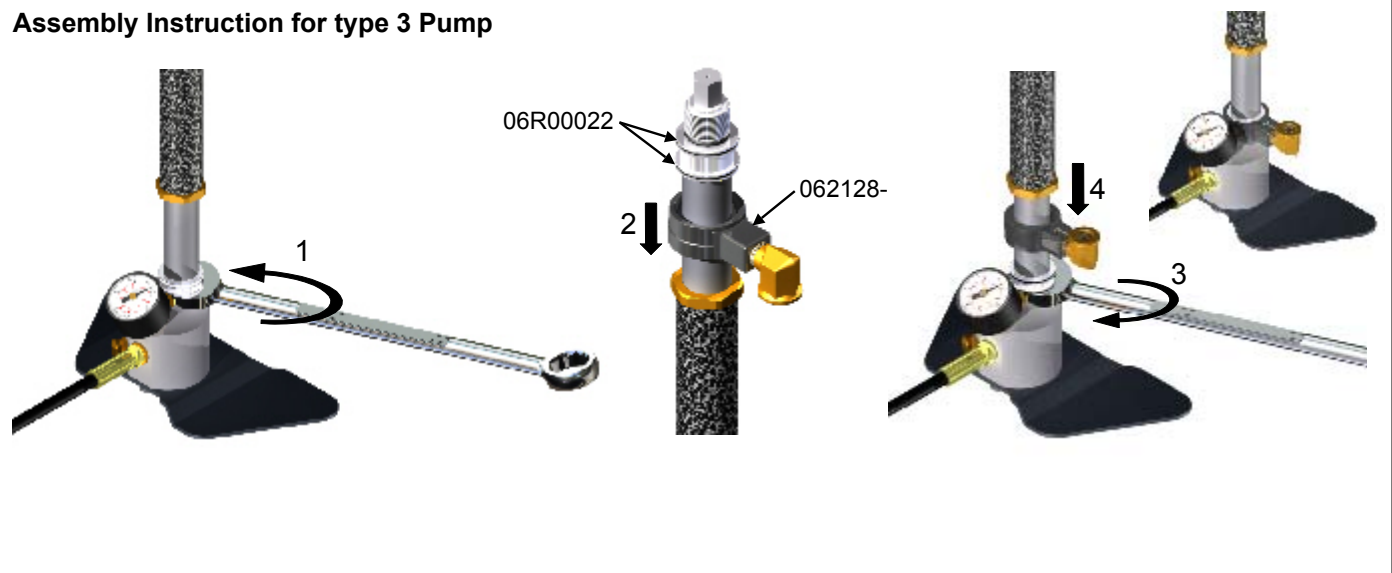
Assembly Instruction for DryPac Unit



Assembly Instruction for type 2 Pump



Assembly Instruction for type 3 Pump



ERNEST H. HILL LIMITED

10-12 MEADOWBROOK PARK - STATION ROAD - HALFWAY - SHEFFIELD S20 3PJ - ENGLAND

Telephone; +44 (0) 114 248 4882

Fax; +44 (0) 114 248 9142

web site; <http://www.airrifepump.com>

e-mail; sales@hillpumps.com



Q06338 ISO 9001

06R35039